



## Laser Microgage 2D Dual Axis Measuring System: Roll Kit

### Applications:

- Checking & setting roll parallelism
- Adjusting rollers, idlers and guides
- Replacing worn and damaged rolls
- Profiling roll surfaces
- Aligning sheet and extrusion lines
- Measuring roll deflections
- Adjusting coating and converting equipment
- Checking web handling machinery

### Roll Kit Includes:

- Microgage 2D Display Unit
- Microgage 2D Laser Transmitter
- Microgage 2-Axis 2D Receiver
- 4-Axis Precision Mount
- 2-Axis Precision Mount
- Precision Tripod Mount (2)
- Adjustable Receiver Mount
- Roller Mounting Plate
- Precision Alignment Plate
- On/Off Magnetic Mount
- Enhanced 90-Line-D
- Vertical Roll Adjuster
- Pinpoint Capture™ Software
- Computer USB Interface Cable
- Hardshell Carrying Case
- Operation Manual
- 1 Year Warranty



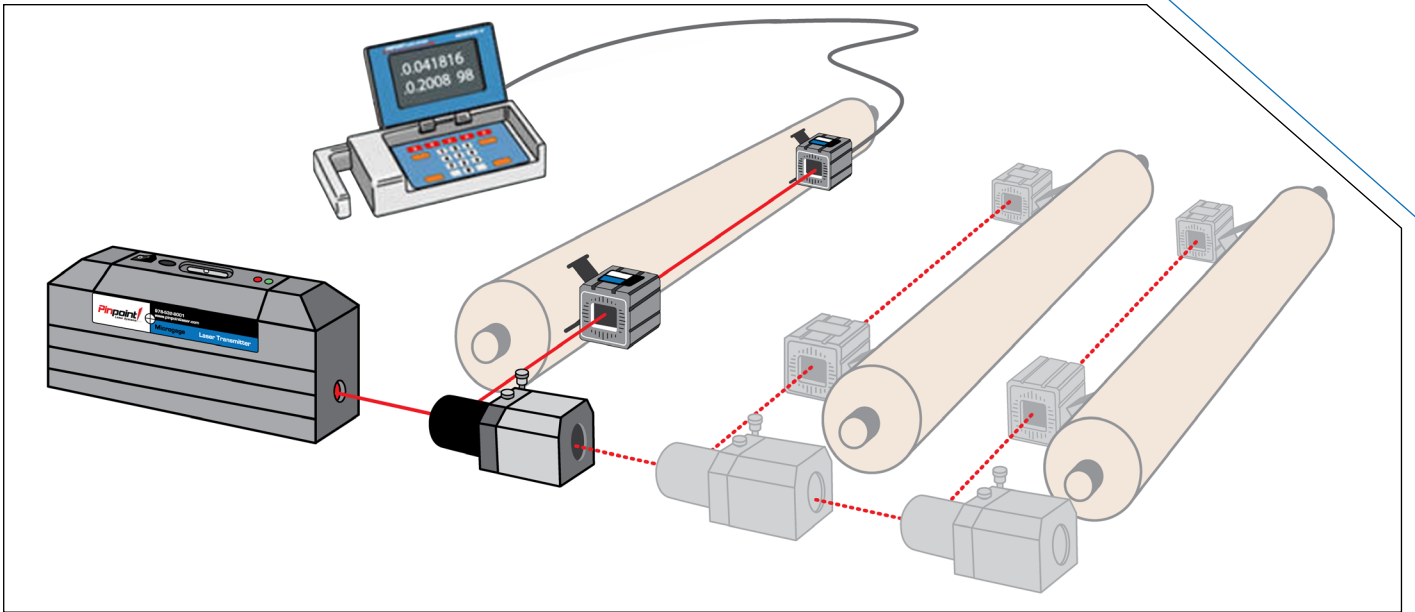
### About the Roll Kit

Laser roll alignment provides precision alignment between paper mill rolls, metal forming equipment, multiple bearings along a shaft, machinery beds, and printing press rolls to name a few. The slightest misalignment can cause elements to work against one another resulting in mechanical wear, premature failures, and defective product. Utilizing the Pinpoint Laser Systems' Roll Kit will ensure your equipment works in unison reducing maintenance costs and extending the life of your machinery while increasing quality throughput.



1-800-757-5383  
www.pinpointlaser.com

info@pinpointlaser.com • Phone 978-532-8001 • 56 Pulaski Street • Peabody, MA 01960 • USA

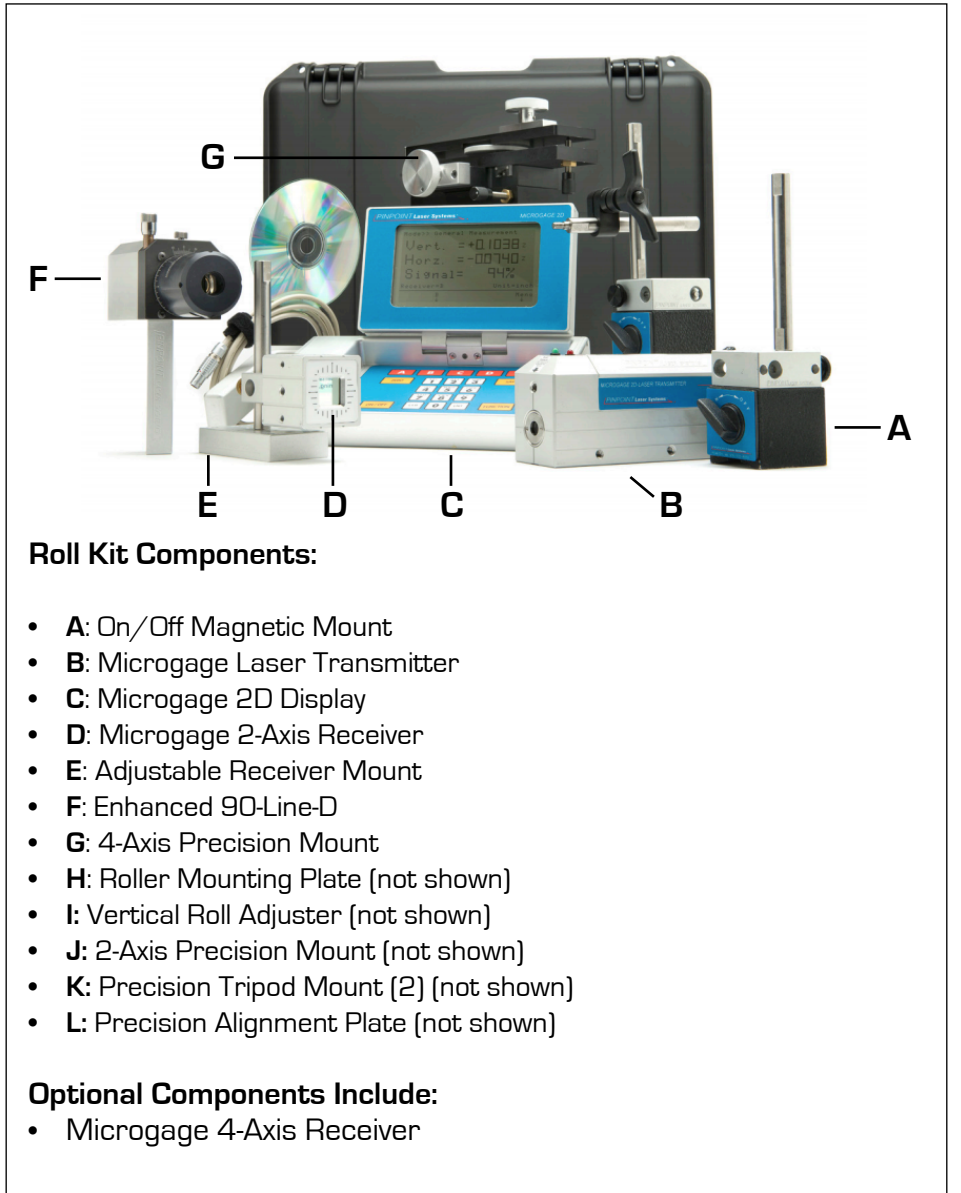


### Features:

- Ruggedized, all aluminum flip top display unit
- Adapts to different heights
- Compact design for use between rolls
- Pinpoint Capture™ Software
- Measure distances from a few inches up to 150 feet
- Precise down to 0.0001 inch *(depending on application)*

### Benefits:

- Quick return on investment
- Intuitive set up and use
- expands in-house capabilities
- Removes guesswork for alignment or measurement
- Minimizes machine downtime
- Supports preventative maintenance efforts
- Eliminates need for outside alignment contractors
- Reduces machinery installation costs



### Roll Kit Components:

- **A:** On/Off Magnetic Mount
- **B:** Microgage Laser Transmitter
- **C:** Microgage 2D Display
- **D:** Microgage 2-Axis Receiver
- **E:** Adjustable Receiver Mount
- **F:** Enhanced 90-Line-D
- **G:** 4-Axis Precision Mount
- **H:** Roller Mounting Plate (not shown)
- **I:** Vertical Roll Adjuster (not shown)
- **J:** 2-Axis Precision Mount (not shown)
- **K:** Precision Tripod Mount (2) (not shown)
- **L:** Precision Alignment Plate (not shown)

### Optional Components Include:

- Microgage 4-Axis Receiver

1-800-757-5383

www.pinpointlaser.com