



Microgage Laser Transmitter

Applications:

- Straightness and linear measurement
- Perpendicularity measurements
- Parallelism
- Machine leveling
- Flatness and planar checks
- Runout measurements

Features:

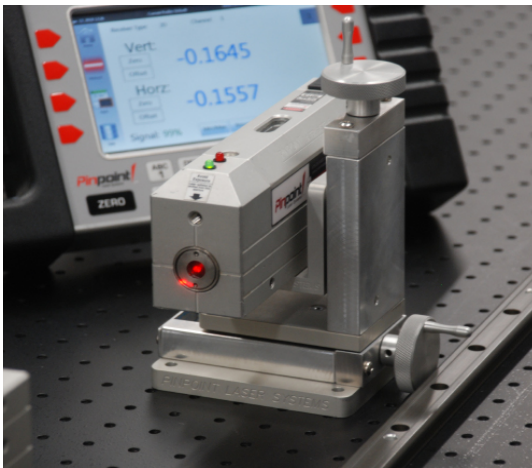
- Durable, stainless steel components
- Operating distance up to 180 feet
- 1 Year warranty
- Easy to set-up and use



About the Microgage Laser Transmitter

The Microgage Laser Transmitter produces a precise laser beam that forms a straight reference line for a machine or assembly and each receiver measures in two axial directions, horizontal and vertical (X & Y). The path of the laser beam can be a few inches long up to 180 feet and a Pinpoint Microgage display provides accurate readings as small as 0.0001 inch (2.5 micron).

The Microgage Laser Transmitter can also be mounted on a variety of mounts and or tripods to ensure accurate readings in many industry settings

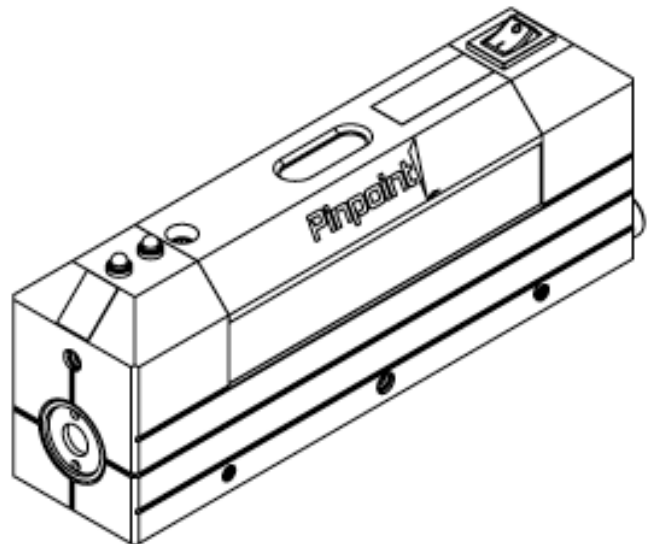
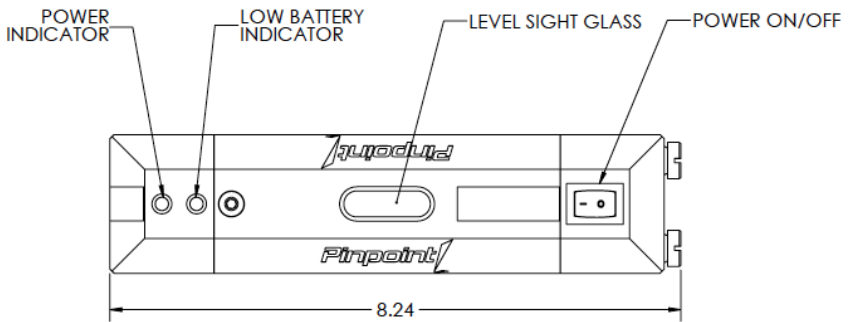
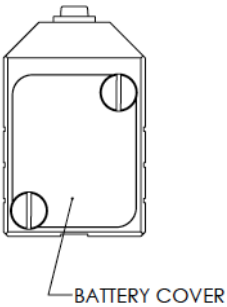
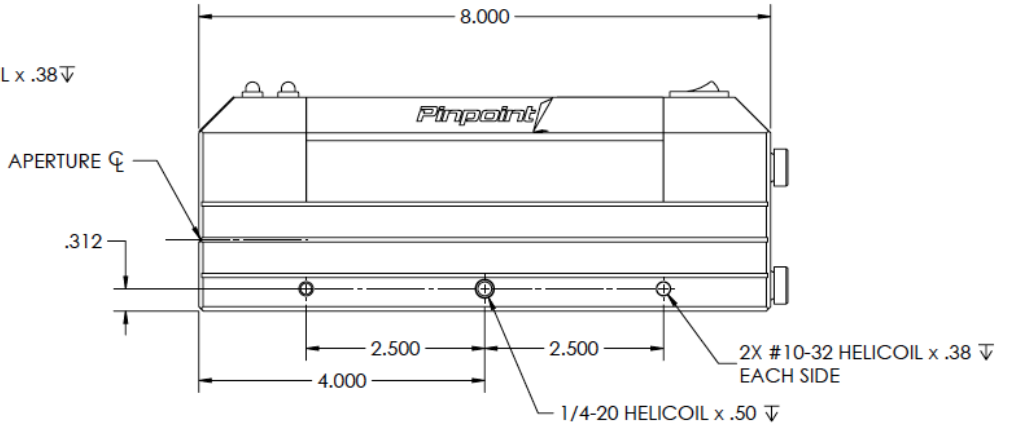
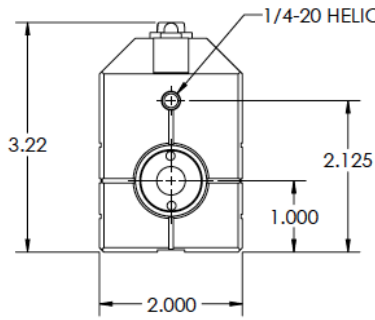


Measuring System	Specifications
Measurement resolution	0.0001" (2.5 micron)
Measurement accuracy	± 0.0002" or 1% of measurement (5 micron)
Measurement range	± 0.350" (± 9mm)*
Laser Transmitter*	Specifications
Laser source	laser diode, 635 nm. <1mw
Laser accuracy	≤ 2 arc-seconds
Laser level	10 arc-second, precision bubble, machinist grade
Laser run time	> 20 hours
Laser power	4, AA alkaline batteries & rechargeable option
Laser dimensions	8.0" L x 2.0" W x 3.22"H

1-800-757-5383
www.pinpointlaser.com



**Microgage
Laser Transmitter
Dimensions & Technical Drawings**



1-800-757-5383
www.pinpointlaser.com

info@pinpointlaser.com • Phone 978-532-8001 • 56 Pulaski Street • Peabody, MA 01960 • USA

Rev. 6/19