



Precision Tripod Mount

P/N: PLS-007-03

Applications:

- Supports the Microgage Laser
- Ideal mounting for receivers and 90-Line Right Angle
- Sturdy mount for laser alignments on the plant floor
- Portable for field service and installation work
- Well suited for mill and roll alignment jobs
- Perfect for machine shop alignment and runout checks

Features:

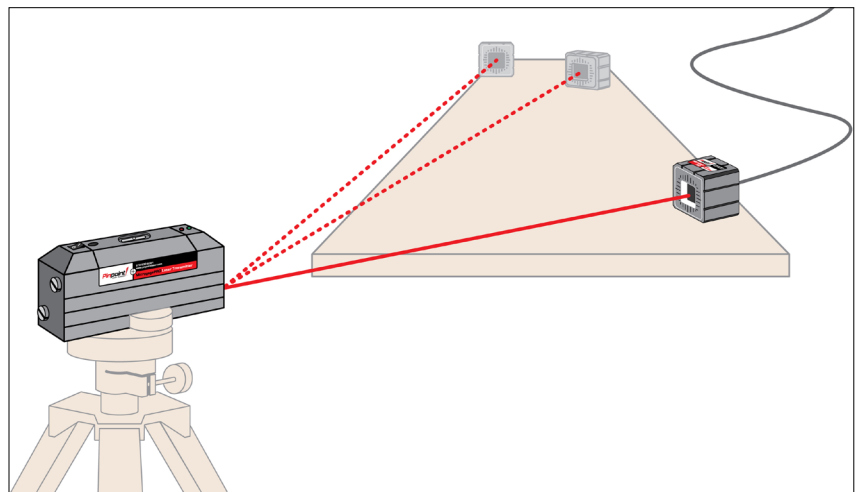
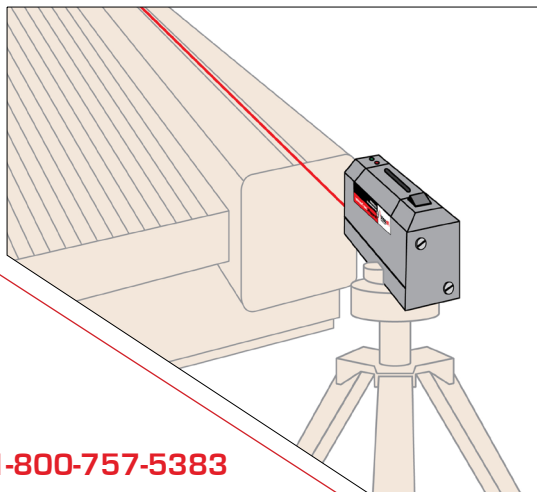
- Weighs just 13 pounds
- Adjustable height from 19" to 74"
- Solid metal construction supports up to 26.5 pounds
- Rubber non-skid feet with retractable points
- Three independent, sturdy leg locks with cross brace for added stability
- Geared column for 10" of fine vertical adjustment
- Includes nylon carrying bag
- 1 year product warranty



About the Precision Tripod Mount

The Precision Tripod Mount provides excellent stability for the Microgage Laser transmitter and other alignment accessories, such as the 4-Axis Precision Mount, Leveler Rotational Mount, 90-Line, 90-Line Square Plane, and more. A Microgage receiver can also be attached to this tripod as an endpoint for aligning long machinery runs.

This tripod's solid metal construction provides exceptional stability for use on the factory floor, and in the field for machinery installations and service projects. The height is adjustable from 19" to 74" and secure locking mechanisms keep the legs and center support column in tight alignment. Solid foot pads provide stable footing with a cross brace lock for added strength and stability.



1-800-757-5383
www.pinpointlaser.com